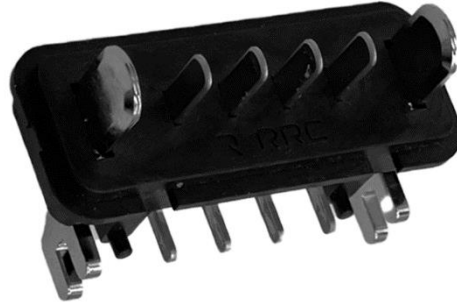


RRC-MC35-90-30

Battery Mating Connector

P/N: 212418



Picture only for reference

Features:

- Mating connector for standard battery form factors RRC35xx
- 30.00A max. charge or discharge current to battery
- 6-pin male connector
 - 4 signal pins: 5mm pitch
 - 2 power pins: 7mm pitch
- RoHS and REACH compliant

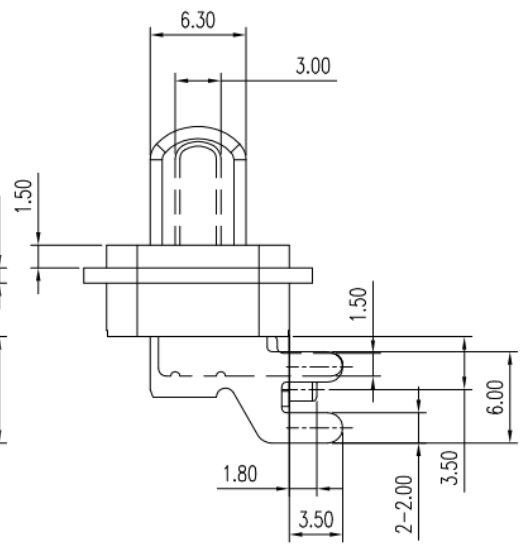
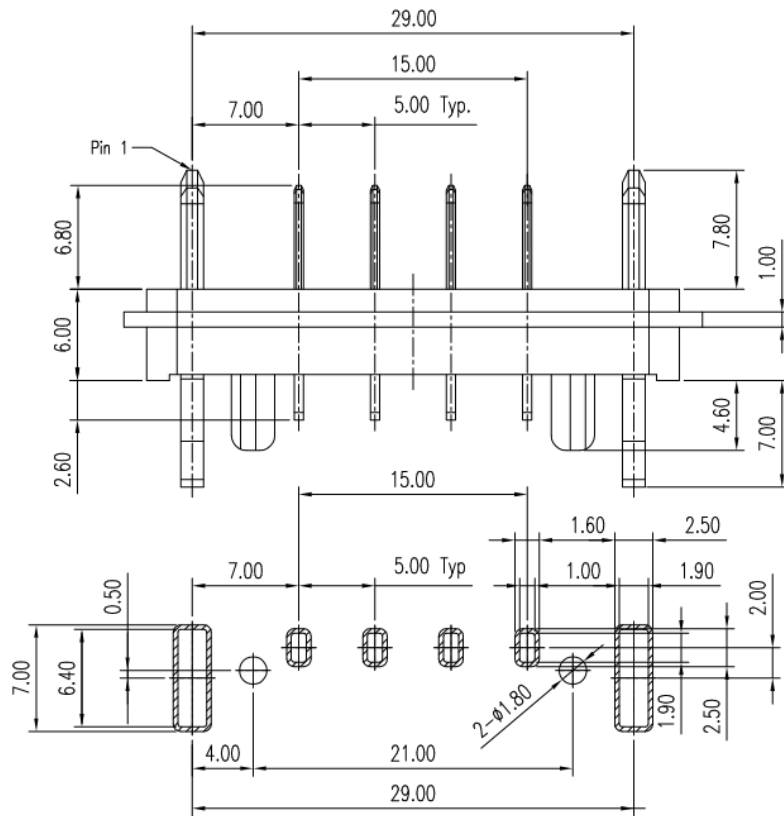
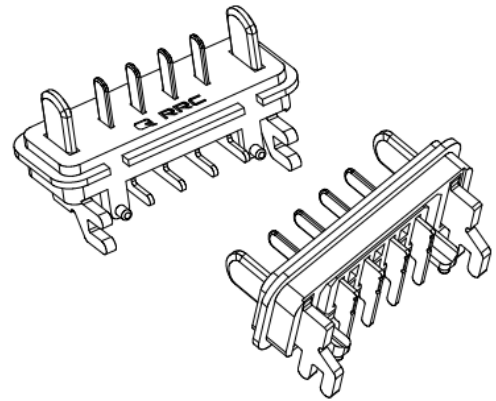
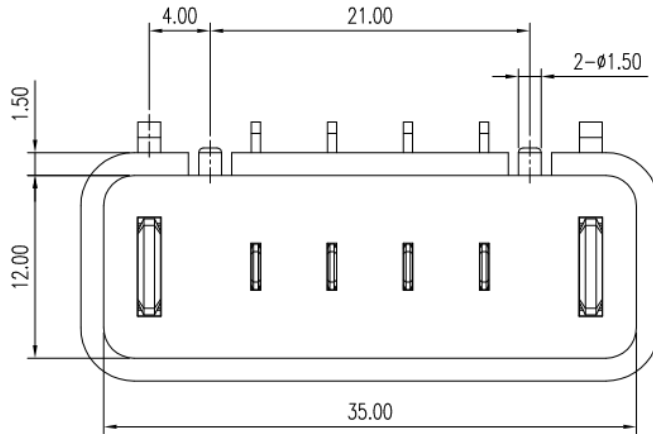
Applications:

Mating connector for RRC's smart batteries used in medical, industrial and consumer applications

Specification

Ratings	
Current	30.00A max. / power pin 1.00A max. / signal pin
Voltage	60.00V (power) 60.00V (signal)
Materials	
Housing	Thermoplastic High Temperature, UL 94 V-0 (LCP), black
Contacts	Copper Alloy
Plating	120µin Nickel overall, 50µin Nickel on contact area
Environmental Condition	
Operating Temperature	-40°C to +85°C
Electrical Requirements	
Contact Resistance	50mOhm max.
Insulation Resistance	1000MOhm min. at 500VDC / 1min
Dielectric withstand	500.00V / 1min
Mechanical Requirements	
Weight	8g
PCB mounting	90°
Contact Retention Force	1500g min. / power pin 1000g min. / signal pin
Durability	5000 cycles
Physical Requirements	
Solder Temperature	260°C ± 5°C
Immersion Period	5sec
Regulatory Approvals	
Green Procurement	RoHS REACH
Packaging	
32 connectors per tray	
320 connectors per carton	

Drawings



Recommended P.C.B. Layout
Layout Tolerance = $\pm 0.05\text{mm}$

Germany/Headquarters

RRC power solutions GmbH
Technologiepark 1
66424 Homburg / Saar

Tel.: +49 6841 98090
Fax: +49 6841 9809280
Email: sales@rrc-ps.com
Web: www.rrc-ps.com

USA

RRC power solutions Inc.
18340 Yorba Linda Blvd.,
107-437
Yorba Linda, CA 92886

Tel.: +1 714 777 3604
Fax: +1 714 777 3658
Email: usa@rrc-ps.com
Web: www.rrc-ps.com

Hong Kong

RRC power solutions Ltd.
S-V,6/F, Valiant Industrial
Centre 2-12 Au Pui Wan Street
Fo Tan, N.T., Hong Kong

Tel.: +852 2376 0106
Fax: +852 2375 0107
Email: hkrrc@rrc-ps.cn
Web: www.rrc-ps.cn

China

RRC power solutions Ltd.
Room 1306, C Building,
Tianan International building,
Renmin South Road, Luohu
District, Shenzhen 518021

Tel.: +86 755 8374 1908
Fax: +86 755 8374 1861
Email: hkrrc@rrc-ps.cn
Web: www.rrc-ps.cn